

Transfer Switches

STS & ATS Systems – Single & Three Phase

» Dual Source

» Industrial

» Reliable



BPC offers a variety of transfer switches to provide switching between two independent AC power sources.

Transfer Switches ensure “highest availability” of the power supply to sensitive and critical applications. The installation of an Automatic Transfer Switch or Static Transfer Switch ensures 2N architecture is achieved and allows loads with single feeds to always be supplied by the highest quality of power. The use of transfer switches and 2N architecture increases the maintainability of the switch panels and upstream equipment.

» Data Centres

» Industrial

» IT Solutions

» Single Power Supply Systems

Automatic Transfer Switches

BPC can provide intelligent Automatic Transfer Switches that can be powered from two UPS Systems, different mains supplies or a combination of both. The system also has distribution with compatibility for eight network devices to be connected from its output sockets.

Higher reliability levels are achieved by using dual power sources and outlets that can be programmed to schedule individual device shutdowns, or delay priorities ensuring maximum uptime and control for the user.

The front panel has an LCD display providing input & output status, alarms and key measurements information which can also be remotely monitored using RS232, USB or Simple Network Management Protocol (SNMP) communications.

- **Powered by two independent power sources**
- **Dual power supply for redundancy**
- **Provides seamless switching for critical IT equipment**
- **Selection of preferred source via the front panel**
- **19" rack design (1U) to fit into diverse environments**
- **Built-in USB and RS232 communications**



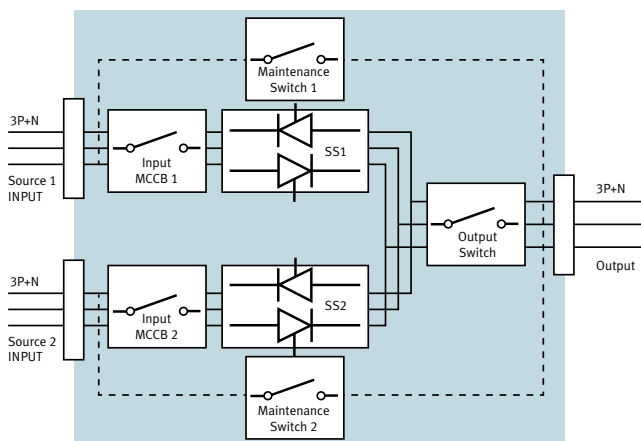
Static Transfer Switches

Automatic Static Transfer Switches (STS), enable automatic or manual transfer between two AC power supply sources, ensuring a transfer time of less than 1/4 of a cycle.

The use of STS within an electrical distribution system provides a means of secure protection against any potential disruption of the power supply, due to interruptions of the supply source or failure of the distribution lines caused by environmental phenomena or human error.

The STS provides a guaranteed means of switching between two alternative and independent power sources thus ensuring a continued supply of power to any critical load. The switching can either be AUTOMATIC, should the incoming supply fall outside the predefined window of operation (user-defined), or MANUAL, should an operator want to force switching between the two input supply sources from the mimic display panel or via a remote connection.

- **Increased power quality and increased noise reduction**
- **Selectable preferred source and method of transfer**
- **Power redundancy**
- **Power blackout protection**
- **Automatic static switching ultra fast Break Before Make transfer permits switching between two sources**
- **Power event logging**
- **Less than 5ms transfer between synchronised sources**
- **Switched neutral option maintains isolation between sources**
- **Remote management of the power events**
- **Output current capability up to 100% for short time**
- **Hot swappable option for 2 pole range**



Single Phase Model Range:
2 pole = 32A / 63A / 120A
Standard & Hot Swappable Options



Three Phase Model Range:
3 pole = 50A - 800A
4 pole = 50A - 800A



Automatic Transfer Switches

Technical Specification



MODEL	ATS - 16
Input Voltage	220 / 230 / 2340 Vac
Input Voltage Range	180-258 Vac
Input Frequency	50 / 60 Hz
Maximum Input Current	16A
Output Voltage	220 / 230 / 240 Vac
Maximum Output Current	10 A for IEC-C13 outlets / 16 A for IEC-C19 outlets
Communications	USB / RS232
Transfer Time	9-12ms (typical), 16ms (max)
Operating Temperature	0 - 95% RH at -5°C to 45°C (non-condensing)
Dimensions (mm) WxDxH	430 x 330 x 44 (1U)
Weight (kgs) including accessories	8kgs

Static Transfer Switches

Technical Specification



MODEL	2 POLE	3 POLE	4 POLE
Range	32A / 63A / 120A	50A / 100A / 150A / 200A / 250A / 300A / 400A / 600A / 800A	
Input Voltage (Ph-Ph)	220 / 230 / 240 Vac (1Ph + N + PE)	380 / 400 / 415 Vac (3Ph + N + PE)	
Input Voltage Range	180 - 264 Vac (Line to Neutral)		
Input Frequency	50 / 60 Hz		
Input Frequency Range	46-54 Hz (for 50 Hz) 56-64 Hz (for 60 Hz)	48 - 65 Hz (upper and lower Limited adjustable)	
Transfer Type	'Break Before Make'		
Transfer Methods	Automatic / Manual / Remote		
Transfer Control	Synchron	Adjustable display delay (non-synchron)	Zero current (non-synchron)
Transfer Time	≤4 msec for synchronous sources, ≤10 msec for non-synchronous sources		
Switching Type	2 poles: 1 phase + neutral switching	3 poles: 3 phase switching	4 poles: 3 phase + neutral switching
Output Current Crest Factor	3:1		
Admissable Overload	0 - 100% continuous / 101 - 150% for 1min / 151 - 200% for 10sec / >200% for 250ms		
LCD Panel and Mimic	Standard		
Protections	Output overload and short circuit protection, over temperature protection, back feed protection, SCR fault protection		
Communications	RS232 standard / RS485 optional		
TCP/IP Connections	Optional		
Dry Contacts (programmable relay outputs)	3	4	
Cooling	Forced cooling (redundant fans)		
Operating Temperature	0°C - 40°C		
Storage Temperature	-10°C up to +50°C		
Relative Humidity	90% max. (non-condensed)		
Protection Degree	IP20		
Standards	EN62310-1, EN62310-2		

Advanced Power Conversion Solutions

The BPC Group

BPC is an international company operating for 20 years globally, with partners and distributors located around the world.

These regions include:

EUROPE

UK, France, Germany, Gibraltar, Ireland, Netherlands, Malta, Norway, Portugal.

MIDDLE EAST

Bahrain, Jordan, Kuwait, KSA, Lebanon, Oman, Qatar, UAE, Yemen.

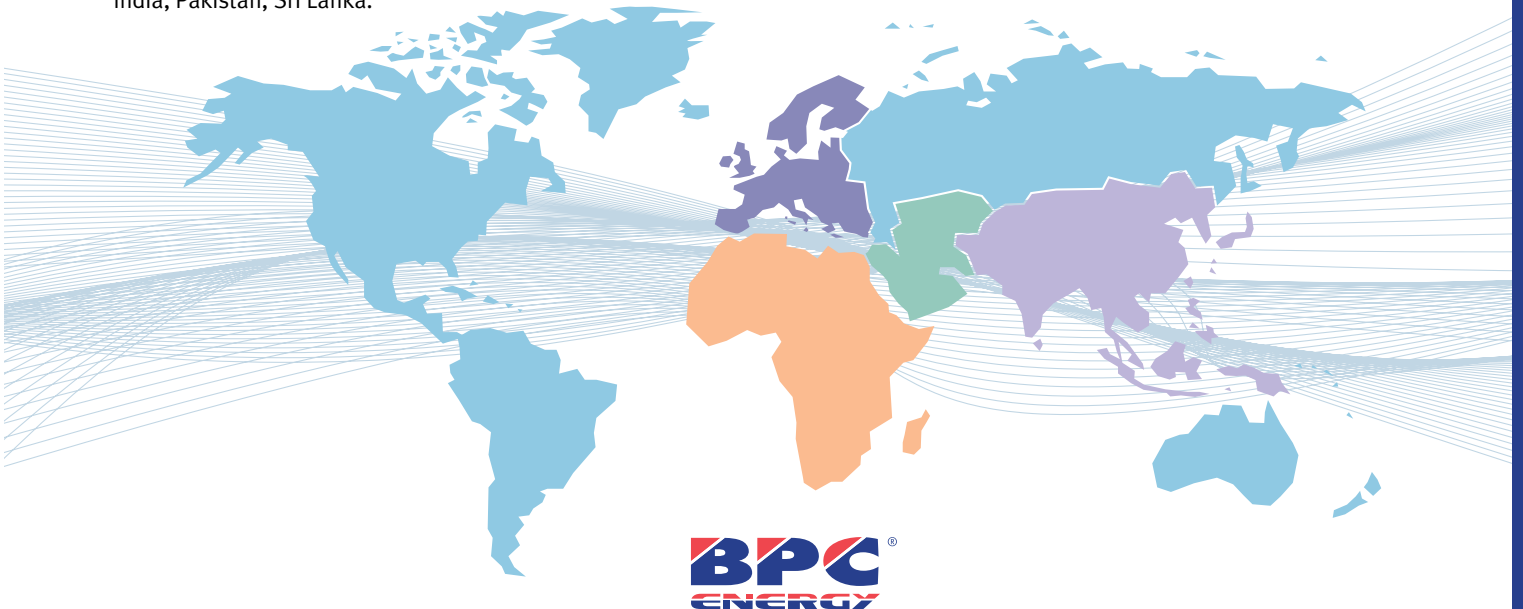
AFRICA

Burkina Faso, Democratic Republic of the Congo, Egypt, Ethiopia, Kenya, Ghana, Libya, Nigeria, Rwanda, Sierra Leone, Sudan, Tanzania, Uganda, Zambia.

FAR EAST & ASIA

India, Pakistan, Sri Lanka.

To ensure a high level of pre and post-sales support is offered, BPC work closely with distributors, providing key commercial and technical training whilst providing competitive costing structures tailored to specific region markets, ensuring the most suitable BPC products are offered. We pride ourselves on long standing relationships with our partners which is reflected in the ongoing support provided locally.



The British Power Conversion Company

Authorised Distributor